

Dependent parking

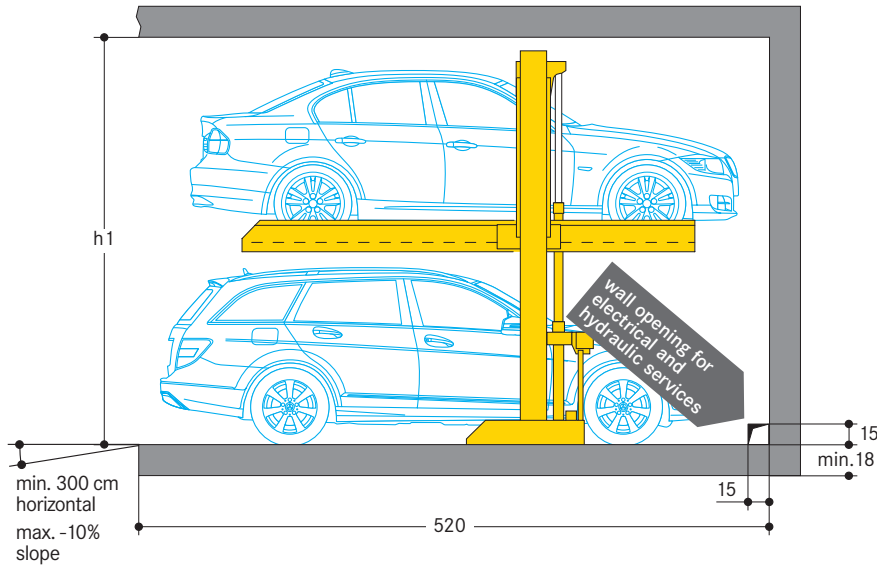
For permanent use only. In case of short time user (e.g. for office-, hotel-, commercial building) only possible on lower platform and only if technically adjusted, ask WÖHR! Or with attendant or valet parking both levels are possible for short time user.

The execution of the installation can only be done with a roofing provided by the customer or within a building.

Load per platform max. 2000 kg (load per wheel max. 500 kg).

Dimensions in cm

■ Parklift 411/5



Standard type	Parklift 411/5-155	Parklift 411/5-165	Parklift 411/5-175
Height h 1* single unit	320	330	340
Car height upper level*	150	150	150
Car height lower level	150	160	170

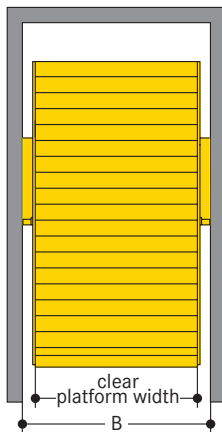
* With greater h 1 height, higher cars can be parked on the upper platform

Comfort type	Parklift 411/5-185	Parklift 411/5-195	Parklift 411/5-205
Height h 1* single unit	350	360	370
Car height upper level*	150	150	150
Car height lower level	180	190	200

* With greater h 1 height, higher cars can be parked on the upper platform

■ Width dimensions

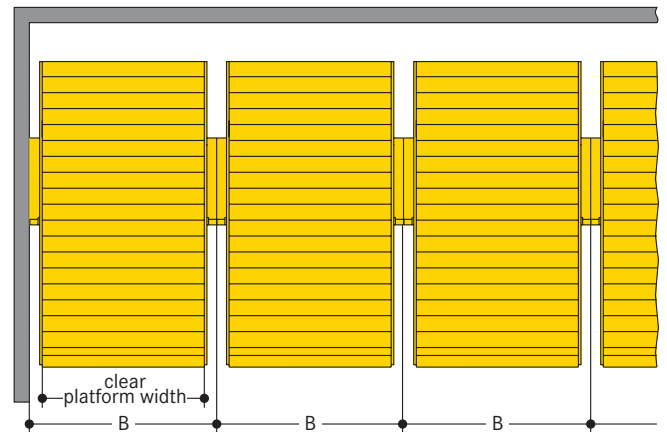
Single unit



Space required B	gives clear platform width
265	230
275	240
285	250

* Special platform widths are available (e.g. 210, 220 cm), please check if they correspond with local regulations.

Units in a row



■ Notes

1. Clear platform width of 250 cm for car widths of 190 cm. For large touring sedans we recommend a clear platform width of 250 cm
2. According to ISO 3864 the floor has to be marked with 10 cm wide yellow-black stripes at a distance of 100 cm from the platform edge by the purchaser (see "statics and construction requirements" on page 2).
3. Platform length 372 cm.
4. It is not possible to have channels or undercuts and/or concrete haunches along the floor-to-wall joints. In the event that channels or undercuts are necessary, the system width needs to be reduced or the installation width needs to be wider.
5. The manufacturer reserves the right to construction or model modifications and/or alterations. Furthermore, the right to any subsequent part modification and/or variations and amendments in procedures and standards due to technical and engineering progresses in the art or due to environmental regulation changes, are also hereby reserved.

