

Data Sheet

WÖHR TURNTABLE 506

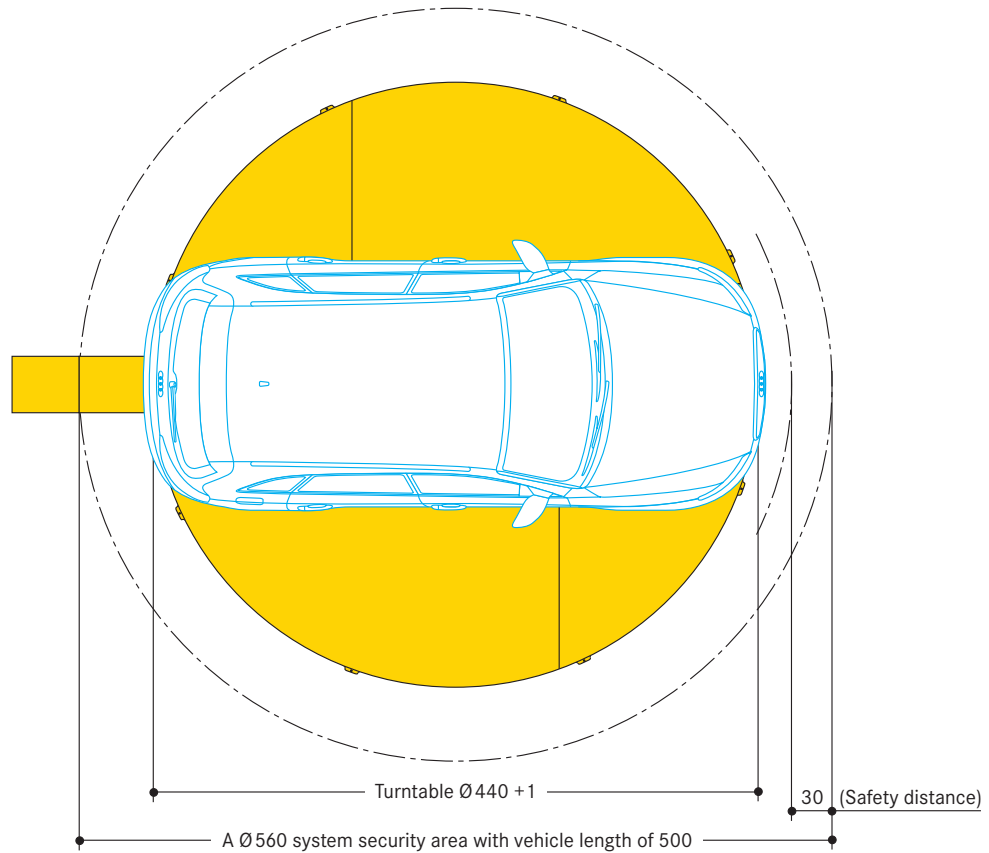


Retroactive integration into existing surfaces is possible with the installation of an above-ground motor.

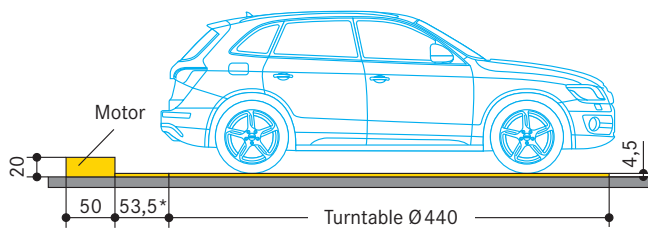
Suitable for condominium and office buildings. Outdoor installation is possible.

Max. permissible vehicle weight 3000 kg (wheel load max. 750 kg). Traversable with a maximum permissible vehicle weight of 4000 kg.

Dimensions in cm

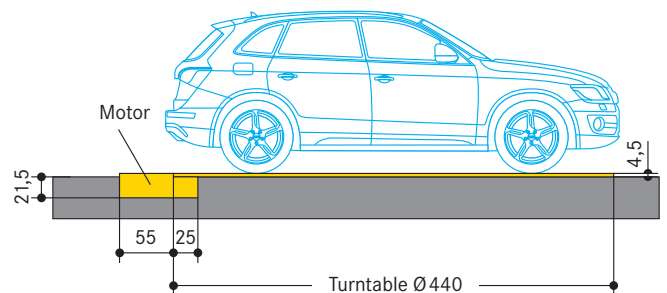


■ TURNTABLE 506 with above-ground motor



* Optionally, the motor can be mounted at a larger distance (up to max. 1000 mm) – at an extra charge.

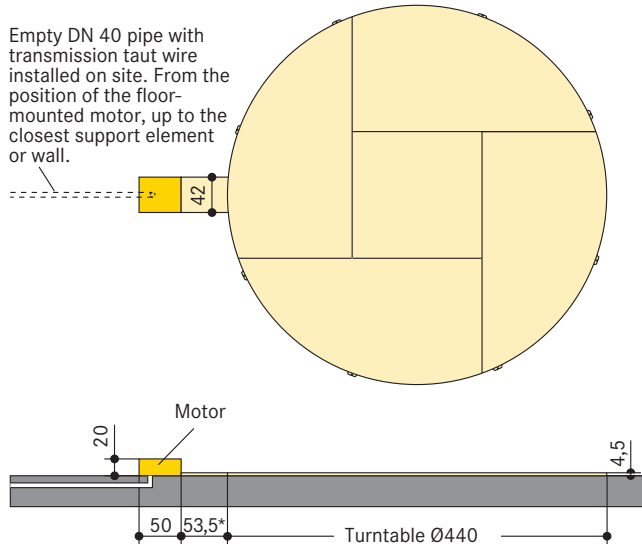
■ TURNTABLE 506 with underground motor



■ Notes

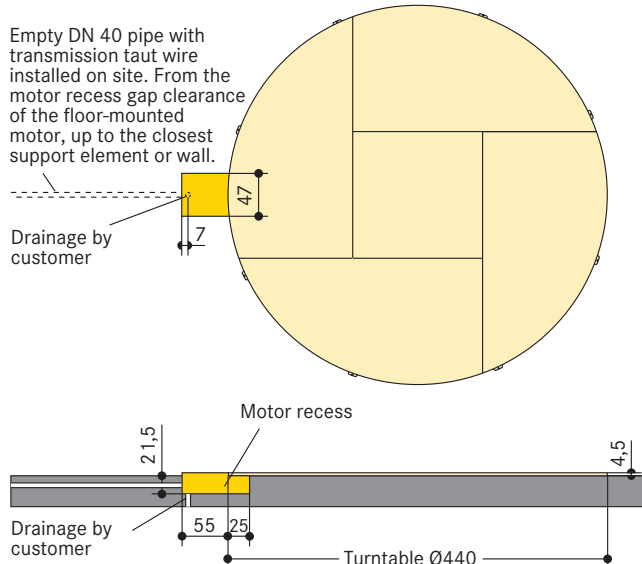
1. The turntable can be installed with a maximum 2 % slope (in required direction). Evenness of the installation surface: ± 1 cm.
2. The underground section to be appropriately load-bearing. Surface pressure amounts to approx. 20 N/cm². We recommend a C20/25 cement slab underground section having a minimum thickness of 15 cm. Alternatively, asphalt or concrete slabs are also possible.
3. WÖHR recommends that the turntable is locked firmly down onto the underground section. This can be done by means of dowels, anchor fastenings, floor braces or similar.
4. The standard turntable configurations feature aluminium plating (stainless steel plating is available with a surcharge).
5. Operation is left turn/right turn (hold-to-run device) via operation device.
6. Please observe that there must be a safety distance of 30 cm between the car's outer contour and the fixed parts of its surroundings on all sides (e.g. car length 500 cm = 560 cm turning radius).
7. The manufacturer reserves the right to construction or model modifications and/or alterations. Furthermore, the right to any subsequent part modification and/or variations and amendments in procedures and standards due to technical and engineering progresses in the art or due to environmental regulation changes, are also hereby reserved.

TURNTABLE 506 with above-ground motor



* Optionally, the motor can be mounted at a larger distance (up to max. 1000 mm) – at an extra charge.

TURNTABLE 506 with underground motor



Power consumption

0,55 kW (1 U/min) | 230/400 V, 50 Hz | 110/220V, 60 Hz

Electrical datas

Item	Performance	Quantity	Designation	Position	Frequency
1	by customer	1 unit	electric meter	in the feed cable	
2	by customer	1 unit	fuse or automatic circuit breaker 3x16A slow blow acc. to DIN VDE 0100 p. 430	in the feed cable	1 per turntable
3	by customer	as locally required	acc. to local power supply regulations 3 Ph + N + PE*	feed cable to main switch	1 per turntable
4	by customer	1 unit	marked main switch, lockable to prevent unauthorized switching on	in the feed cable above control box	1 per turntable
5	by customer	2 m	PVC control cable with marked strands and protective conductor 5 x 1,5 ²	from main switch to control box	1 per turntable
6	by customer	1 unit	Empty pipe DN 40 with transmission wire	From the operating device to the motor	1 per turntable

Items 7 and 8 are comprised within WÖHR's scope of supply unless as otherwise specified in the relative offer/contract

* DIN VDE 0100 part 410 + 430 (not under permanent load) 3PH+N+PE (three-phase current)

The power supply cabling leading up to the control unit must be provided onsite by the customer upon the date set for the start of the assembly procedures, at the very latest. Lay-in and hook-up to the control unit must strictly be performed onsite during the assembly procedures. Our assembly technicians working

onsite can also be available to work together with the electricians in order to verify the system's functional capabilities. Should a verification of the system's functional capabilities be requested at a later date, said verification can be performed by WÖHR against compensation.

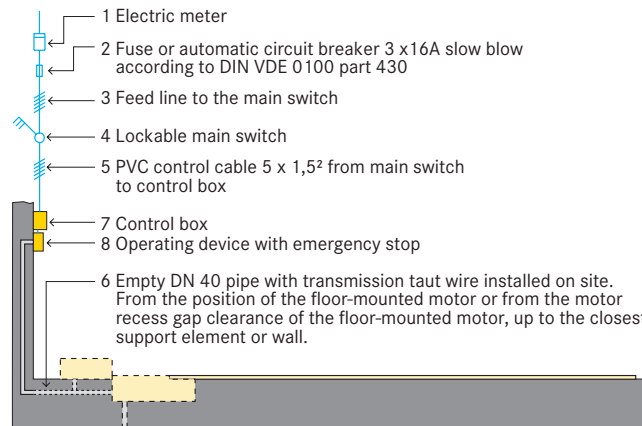
Temperature

The installation is designed to operate between -20° and +40°C. Atmospheric Humidity: 50% at +40°C. If the local circumstances differ from the above please contact WÖHR.

Noise protection

If DIN 4109 "Sound protection in structural engineering" must be met, requirements must be met on site: separate foundation of construction body.

Installation diagram



Lighting

It is necessary to ensure on-site that sufficient lighting is provided to light up the overall turntable area.

Conformity test

All our systems are checked according to EC machinery directive 2006/42/EC and EN 14010.

Maintenance

WÖHR and its foreign partners have an assembly and customer network. Annual maintenance is performed at conclusion of a maintenance contract.

Protection against corrosion

Protection against corrosion has to be carried out acc. to WÖHR Cleaning and Maintenance Instruction on a regular basis independent of maintenance work.

Cleaning the turntable of dirt, road salt and other contaminants (risk of corrosion) is required.

Dimensions

All dimensions shown are minimum. Construction tolerances must be taken into consideration. All dimensions in cm.